

# AT2-5

77 x 35 x 77 mm

## Refrigeration Controller for HT/LT



### Main Features

- Selectable Refrigerating or Heating control
- Runs on mains power supply
- Direct compressor control through high power 16(5)A
- Auxiliary output configurable in six different operating modes
- Selectable NTC10K or PTC input
- Electrical, off cycle or hot gas defrost
- Temperature, door open alarms
- Optional light control button
- Connectivity to LAE supervisory systems
- UL approved

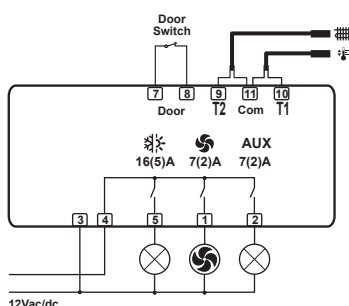
### Applications

High or Low Temperature upright cabinets and counters, cold stores, plug-in display cases, control panels, heated cabinets.

### Series AT2-5

Functions		BS4E-G	BS4E-AL	BS4E-BG
Inputs	Thermostat	•	•	•
	Evaporator	•	•	•
	Door switch	•	•	•
Outputs	Thermostat	•	•	•
	Evaporator fans	•	•	•
	Auxiliary	•	•	•
Power supply	230Vac	•	•	•
Serial port	Serial port TTL		•	
	Serial port RS-485			•
Keypad	Generic	•		•
	With light button		•	

- › Models with removable screw terminal blocks are available. In this case, the letter "S" of code changes in "Q", ex. AT2-5BQ4E-AL.
- › All models come with an alarm buzzer.
- › Versions with 110V power supply are available.
- › On request, the AT2-5 is also available with gasket for a better protection between bezel and metal panel.
- › In order to know more options available for the models, please consult LAE or our local dealer.



### Technical Data

Control Range	-50÷120°C
Resolution	0.1 / 1 °C; °F
Accuracy	NTC10K: <math>\pm 0.3^{\circ}\text{C}</math> (-40.0÷70.0°C) PTC1000: <math>\pm 0.5^{\circ}\text{C}</math> (-50÷120°C)
Sensor type	Selectable NTC10K standard mod. SN4B20P1/P2 or PTC1000
Power supply	230V~ ±10% 50÷60Hz 3W
Front protection	IP55
Panel cut-out	71 x 29 mm (WxH)
Ambient temperature	-10÷50°C