



### Solution:

Intesis Modbus gateways for zoning systems.

### Enables:

- Unique Modbus register map for all AC Brands
- Bidirectional communication between the zoning system and the AC unit.
- Increased comfort.
- Reduction of energy consumption.

### Product features:

- Easy installation
- Great integration flexibility
- Easy and fast integration
- Complete Control of AC units

## Solution for HVAC Zoning Systems

An HVAC zoning system involves controlling of duct dampers to regulate and redirect air to specific zones of the building. This allows the building to be divided into separated areas and to provide individual control of temperature in each zone.

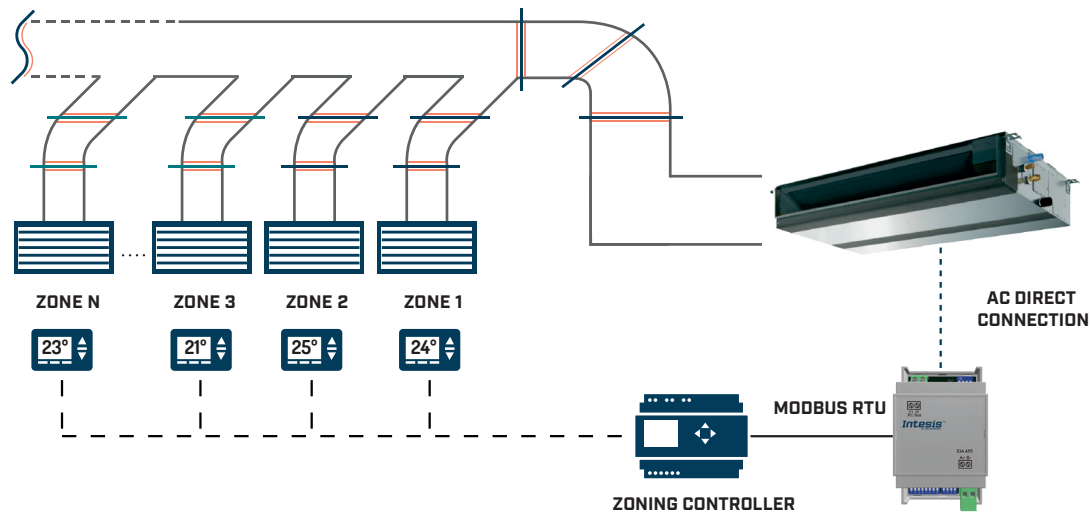
Thanks to Intesis Modbus MBS-1 gateways, the communication between the zoning system and the AC unit is bidirectional, increasing both comfort and energy efficiency.

### All the controls needed for zoning systems

### MBS-1

On/Off	✓
Mode	✓
Set point	✓
Fan speed	✓
Signal error	✓
Error code	✓





## Benefits

- Total integration between the HVAC Zoning system and the Air Conditioner, increasing the control possibilities of the AC unit.
- Regulation of fan speed depending on the zones, needs improves the comfort and reduces the noise level.
- Natural control of the AC unit, by correct usage of the AC inverter system and there by reducing the energy consumption.
- Common Modbus register map for all Intesis gateways with MBS-1 allows the zoning manufacturers to develop a unique controller that fits with any AC brand.
- Complete supervision of the AC unit with ability to monitor its errors from the zoning thermostats.



## HMS Networks - Contact

HMS is represented all over the world.  
Find your nearest contact here:

[www.hms-networks.com/contact](http://www.hms-networks.com/contact)



Learn more on [www.intesis.com](http://www.intesis.com)

